



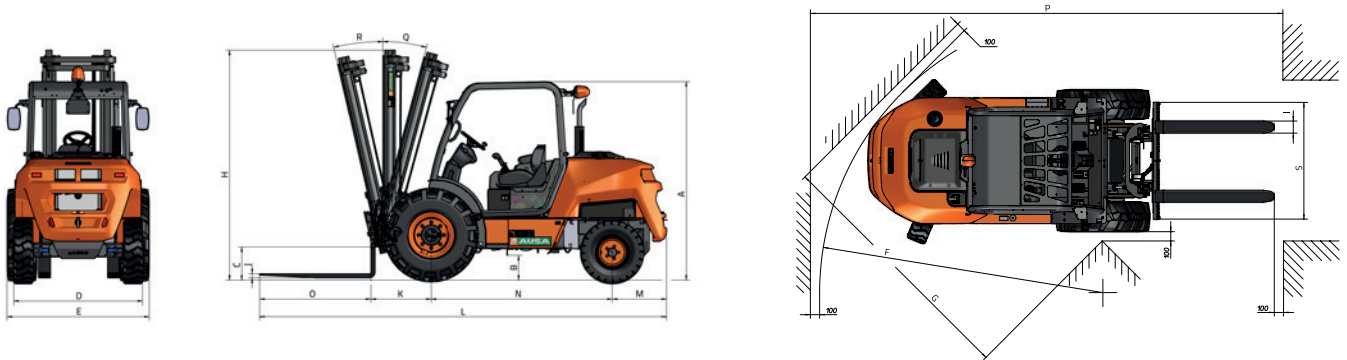
TECHNICAL DATA

GENERAL		C 351 H	C 351 H x4
Load capacity to 500 mm	Kg	3500	3500
Load capacity to 600 mm	Kg	3230	3230
Unladen weight *	Kg	4800	4920
Transmission		Hydrostatic	Hydrostatic
MAST			
Fork carriage		FEM 3	FEM 3
Carriage width	mm	1260/1600	1260/1600
ENGINE			
Make		KUBOTA	KUBOTA
Model		V2403-CR E5B	V2403-CR E5B
Power	kW	31,2	31,2
Operating speed	rpm	2200	2200
Torque	Nm@rpm	158,6@1600	158,6@1600
No. cylinders		4	4
Emissions		EU Stage V + EPA/CARB Tier 4	EU Stage V + EPA/CARB Tier 4
Ambient noise	dB(A)	104	104
DRIVING			
Max. speed	Km/h	20	20
Gradability	%	31	44
Traction		4x2	4x4 FullGrip®
Front tyres		16/70-20	16/70-20
Rear tyres		27x10-12	12-16,5
HYDRAULIC SYSTEM			
Hydraulic circuit	l/min	52,8	52,8
Working pressure	bar	170	170
TANK CAPACITY			
Fuel	l	62	62
Hydraulic	l	51	51
BRAKES			
Service		Hydraulic, multi-disc and sealed	Hydraulic, multi-disc and sealed
Parking		Negativ, multi-disc and sealed	Negativ, multi-disc and sealed

* It may change due to optional equipment

DIMENSIONS

TYPE OF MAST	Maximum lift (mm)	H		Free lift (mm)	Load at maximum height (kg)	
		Retracted mast height (mm)	Extended mast height (mm)		Narrow axle	All-terrain use Wide axle
Duplex mast (Std.)	3300	2670	4570	120	3500	3500
Triplex mast	3700	2130	4970	1200	3200	3500
Triplex mast	5450	2700	6670	1680	-	1600



DIMENSIONS (mm)	C 351 H	C 351 H x4
A	2170	2190
B	300	320
C	355	375
D	1510	1645
E	1780	1780
E**	2050	2050
F	3190	4350
G	2930	3090
I	120	120
J	50	50
K	710	710
L	4540	4540
M	615	615
N	2020	2020
O	1200	1200
P	5300	6645
S	1200	1200
S***	1600	1600
DIMENSIONS (°)		
Q	14	14
R	10	10

** Measured with high-lift mast installed ***Measured for wide axle carriage



www.ausa.com

Products are subject to modifications without prior notice. Images throughout the spec sheet may refer to non-standard machines or non-available configurations depending on models.

AUSA's logo and corporate identity are property of the Company, they cannot be used without authorization.